

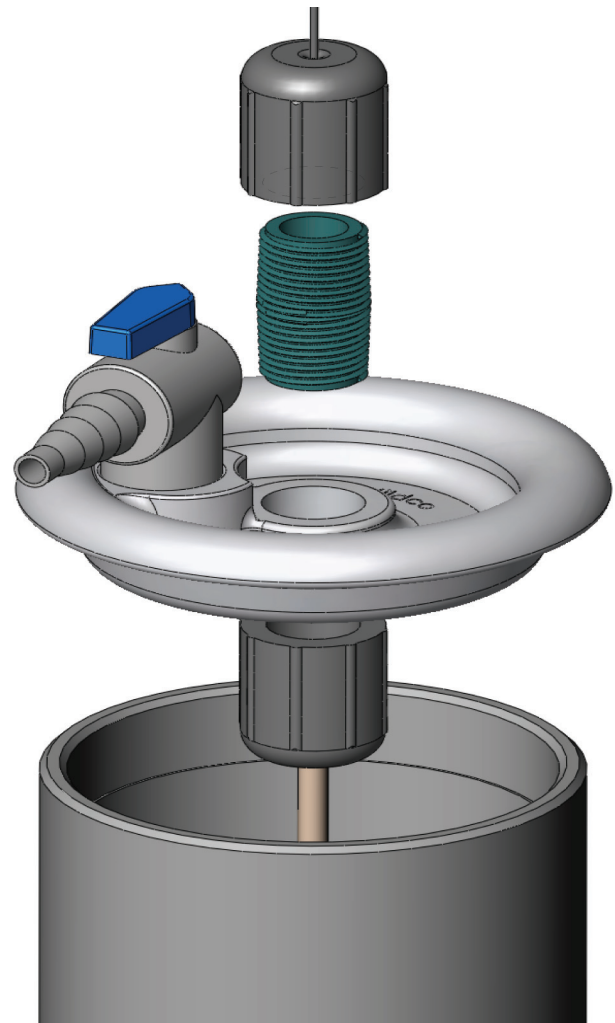
Changing Tubing and/or Cable Assemblies on 1100-1900 Water Samplers

How to change tubing or cable assemblies:

1. Lock tubing against the side of the sampler, holding it firmly to prevent it from snapping back.
 2. Unscrew the gray, white, or orange cap with the cable coming out from the sampler. You may need pliers.
- Warning:** Using pliers will mar the surface of the cap.
3. Remove the cable assembly and seal.
 4. Gently allow the tubing to contract to its rest length inside the bottle. Remove the other end seal (with the tubing attached) from the sampler.
 5. Repeat **Step #2** for the second end seal.
 6. There are two short threaded connectors (pipe nipples) that run from the cable assembly to the tubing assembly through the center hole in each end seal. Unscrew these connectors and screw them into each end of the new tubing assembly until they are snug. For vertical samplers, the shorter cable goes at the top of the sampler.
 7. Replace the seal on one end of the tubing in the correct orientation and screw on the correct cable assembly until it is tight and flush against the seal. Do not overtighten.
 8. Take the assembly made in **Step #7** and pull the tubing through the bottle, locking it against the top of the body so it cannot snap back.
 9. Repeat **Step #7** for the other seal and cable.
 10. Test your repaired bottle to make sure it does not leak around the caps that have just been replaced. Tighten the caps further if leaking occurs around the caps. Do not overtighten.
 11. If cables do not work as expected, the hose clamps holding the trip assembly to the sampler may have shifted. If so, loosen the hose clamps and move the trip assembly slightly and retighten. Do not overtighten, as the sampler may break.

Warning: Do not over tighten. The caps may break.

Warning: Do not allow the tubing assembly to snap back inside the sampler. Damage to the sampler or tubing assembly may result.



P/N 24-9200

© Wildlife Supply Co. Wildco® and Wildlife Supply Co are registered trademarks of Morris & Lee Inc. All rights reserved.