

1280-A and 1280-B

Well Sampler Operating Instructions

Test before you sample!

We recommend that any new sampler be thoroughly cleaned prior to any sampling. In the event you are performing chemical sampling, before any sampling is done, first fill the sampler with distilled, contaminant-free water and test to determine what contaminants may be present in the sample.

We also recommend that this procedure be repeated throughout the sampling season.

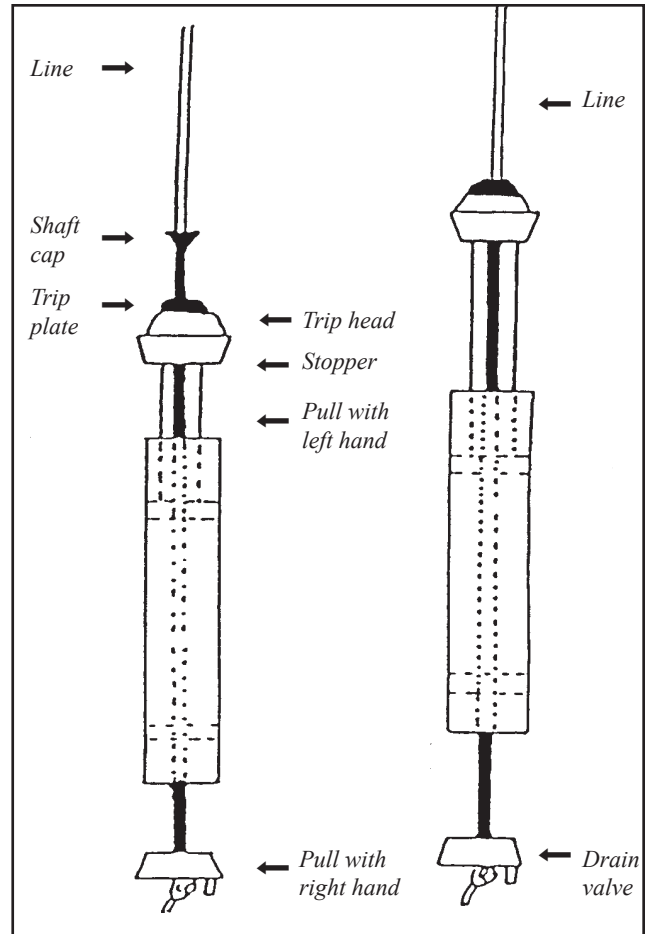
Introduction:

The Kemmerer well sampler is lowered on a suitable line to a desired depth. Its patented trip allows you to lock the stoppers open before lowering. Despite its ease of use, we recommend that you practice first in order to develop a good technique.

Call for advice with air drops greater than 30 feet (10 m). Well samplers are fragile and should be treated with care.

How to test your sampler before sampling:

- Run a line (or light chain) through the central tube and fasten securely below the lower stopper to prevent the line from being pulled back through the hole. Depending on the type of line used, tie or pin the line at the bottom of the sampler. We suggest using a washer or nut.
- To cock the sampler, pull the trip head into the trip plate. This is done by holding top and bottom stoppers and giving a short, hard pull to the bottom stopper. [Note: Bottom stopper must make watertight seal with main tube. Drain tube gasket must also make watertight seal.]
- A messenger is attached to the line. Release the messenger. This falls down the line and closes both the upper and lower stoppers. The stoppers seal by their own weight.



Note about contamination:

Samplers with blue seals may leach phosphorus and mercury and are not recommended for chemical sampling.

Safety:

To prevent personal injury, keep your hands clear of open ends of the main tube while the bottle is in the open position.

Operation:

1. To set the sampler, pull the bottom stopper down until the shaft assembly snaps into the trip head. This holds both stoppers open.
2. If using a solid messenger, run a line through the messenger prior to attaching the line to the sampler. Attach the split messenger to the line once the sampler is at the desired depth.
3. We recommend using our 5 mm (3/16") braided polyester line, such as **62-C20**. The line should be run through the shaft assembly and secured by knotting it at the bottom of the sampler with a washer.
4. Lower the bottle down to the desired depth. Release the messenger to close the sampler. The stoppers seal by their own weight.

Important note:

The maximum height a messenger should be dropped through the air is 30 feet (10m). Distances greater than this can damage the bottle.

Call us for advice with air drops greater than 30 feet (10 m).

Do not use a messenger heavier than 8 ounce! Damage to your sampler may result.

Well samplers are fragile and should be treated with extreme care.

Maintenance:

- Do not store this sampler when wet, damp or dirty.
- When returned from sampling, rinse thoroughly to remove any soil, debris, chemicals and oils.
- Allow both sampler and case to air dry thoroughly before placing in storage.
- Mold, mildew, metal corrosion and plastic surface deterioration may occur if instruments or nets are stored wet and/or dirty.
- The foam interior and the case may be damaged or deteriorate if the product is not dried after use.
- Kemmerer end seals (stoppers) should not be sealed, seated or fully closed during storage. While end seals are made of tough elastomers, they all have a tendency to take a set under long periods of inactivity and stress. Store the Kemmerer bottle with the end seals slightly open and not touching the outer cylinder.
- Before storing any water bottle, the entire bottle should be rinsed in fresh, clean water and allowed to completely air dry. When fully dry, store in its case or in a **dark, cool, dry** shelf or cabinet.

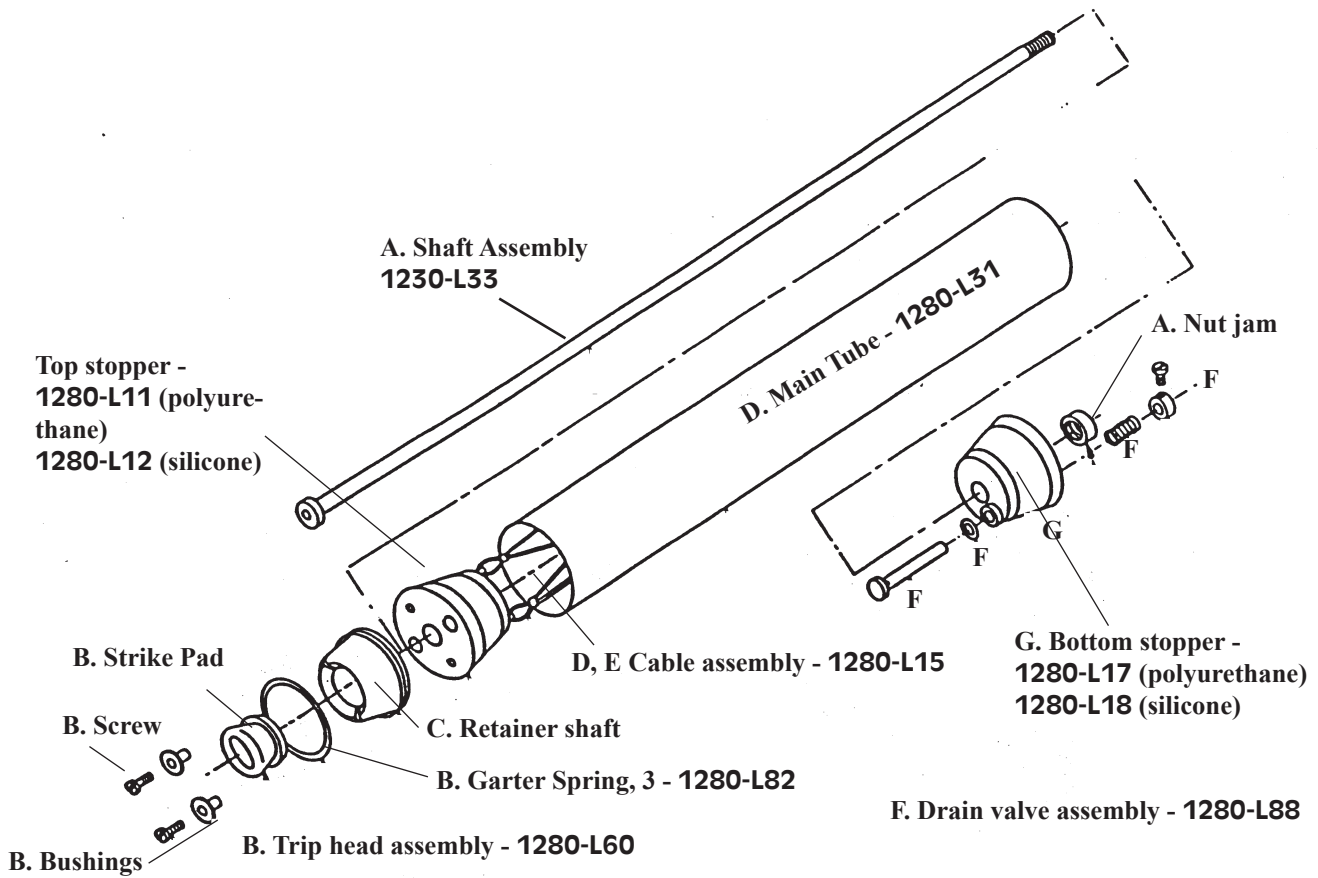
- Made to Order - this well sampler can be manufactured to your specifications. Please call our technical support team.

Warranty and Parts:

We replace all missing or defective parts free of charge. All products guaranteed free from defect in materials or workmanship for 90 days after date of shipment. This guarantee does not include accident, misuse, or normal wear and tear and applies to original purchaser only.

P/N 031090

© Wildlife Supply Company. Wildco® and Wildlife Supply Company® are registered trademarks of Morris & Lee Inc. All rights reserved. Revised 11-11



Part Description	Part Number
A. Shaft Assembly (shaft and nut)	1230-L33
B. Trip head assembly	1280-L60
<i>2 screws, 2 bushings, strike pad, spring, retainer shaft</i>	
C. Top Stopper assembly, polyurethane	1280-L11
C. Top Stopper, silicone	1280-L12
D. Main tube assembly, stainless steel	1280-L31
E. Cable assembly	1280-L15
F. Drain valve	1280-L88
<i>Drain stem, washer, spring, ferrule with screw</i>	
G. Bottom Stopper, polyurethane	1280-L17
G. Bottom stopper, silicone	1280-L18

Specifications for 1280-A12 and 1280-B22:

- Tube OD: 41 mm (1-5/8")
- End Seals: Choice of silicone or polyurethane
- Tube length: 606 mm (23-7/8")
- Volume: 0.6 L
- Line: Takes 200', 3/16" diameter line (**62-C20**)
- Carry case: Takes carry case **910-G10**
- Messenger: Takes **46-D80** 8 ounce messenger
- Tube material: Stainless steel