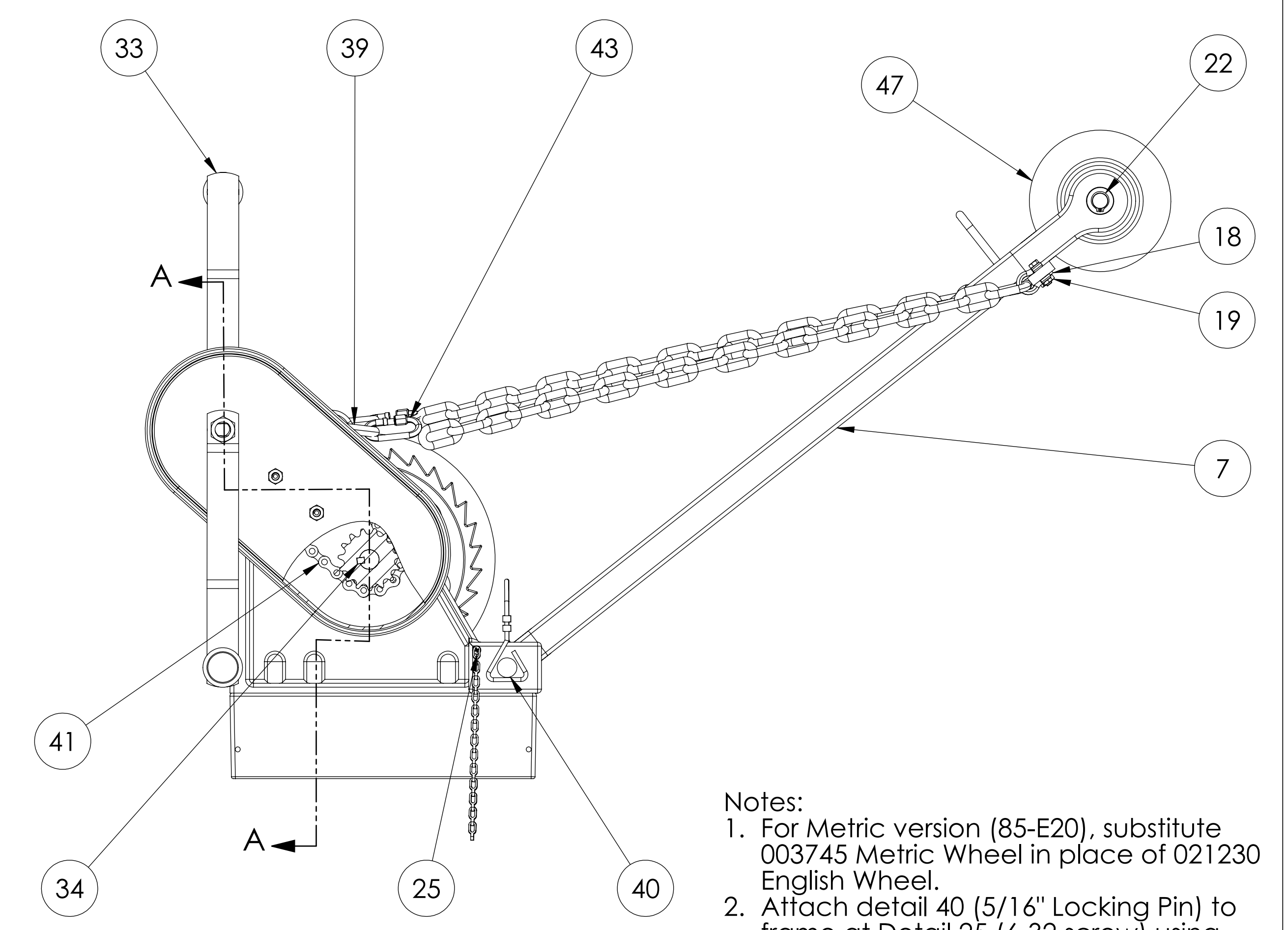
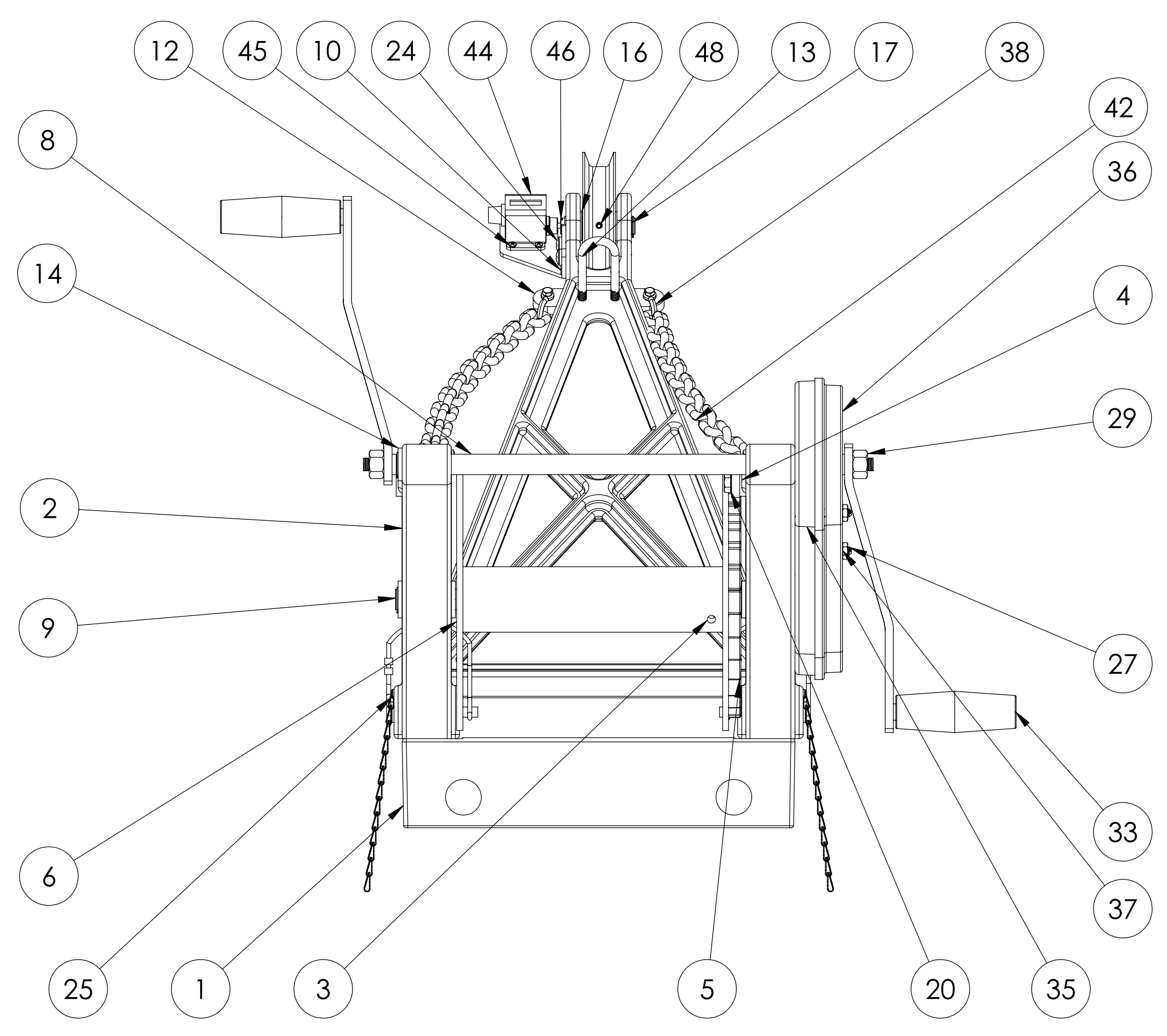
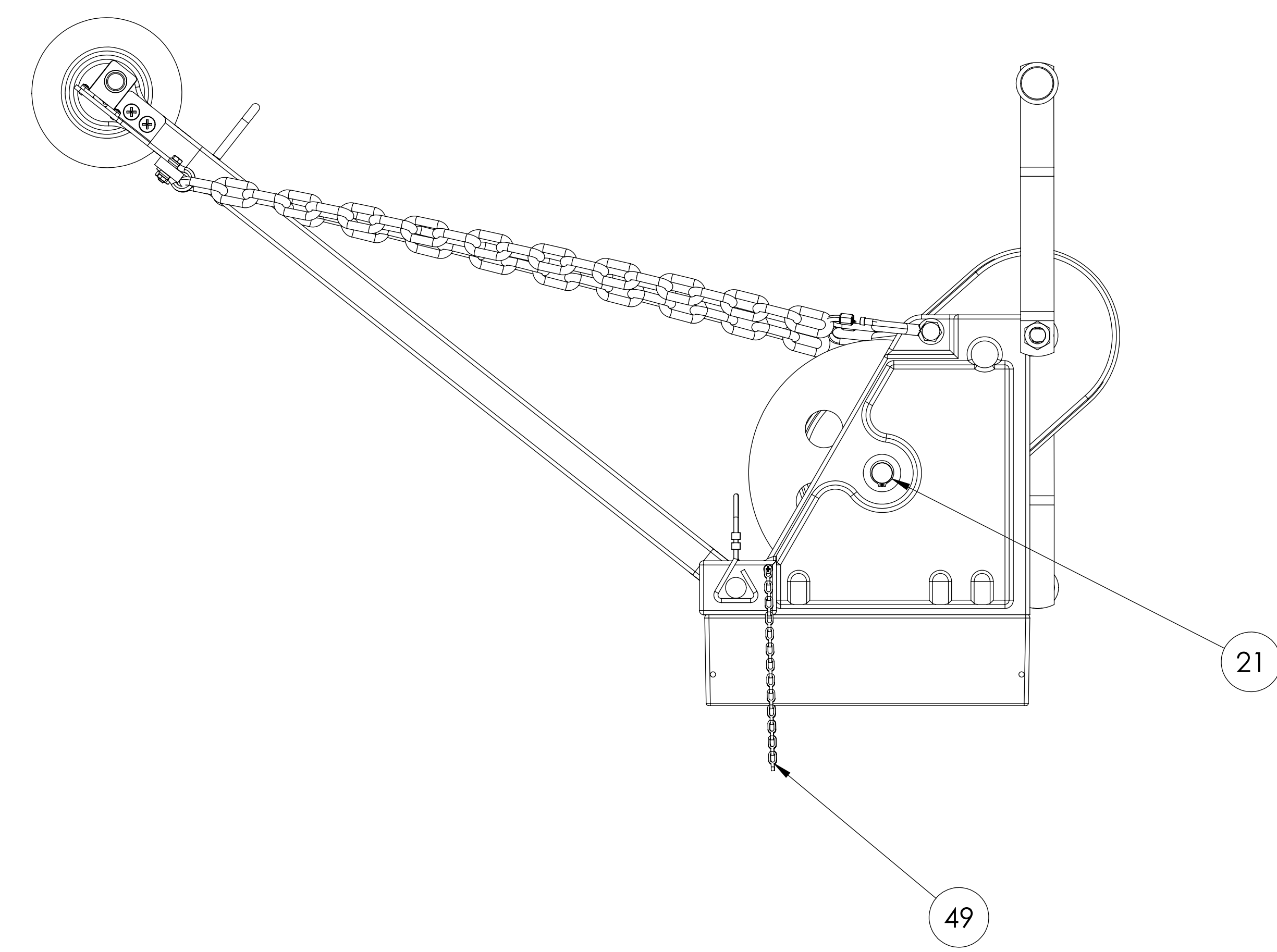
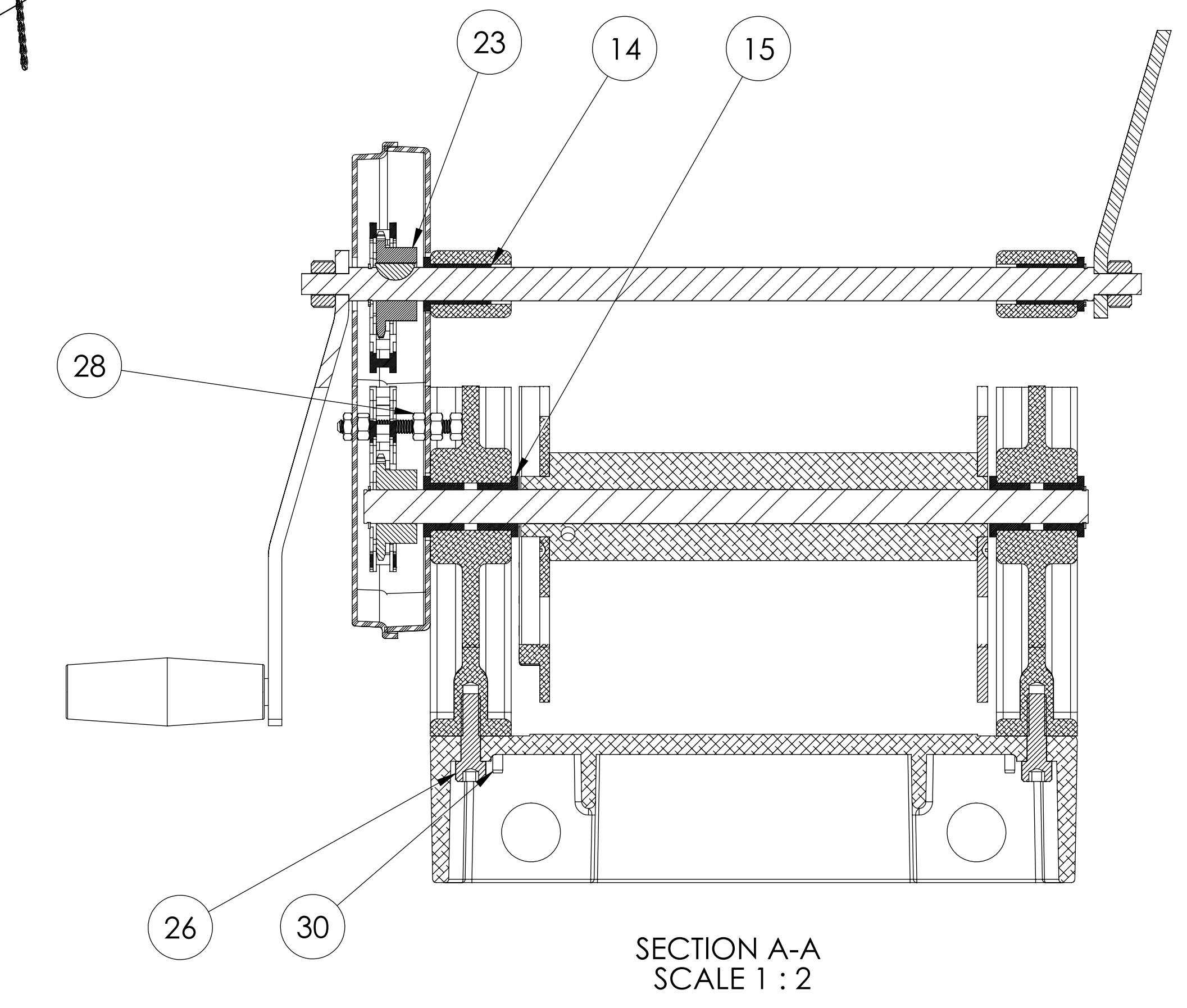
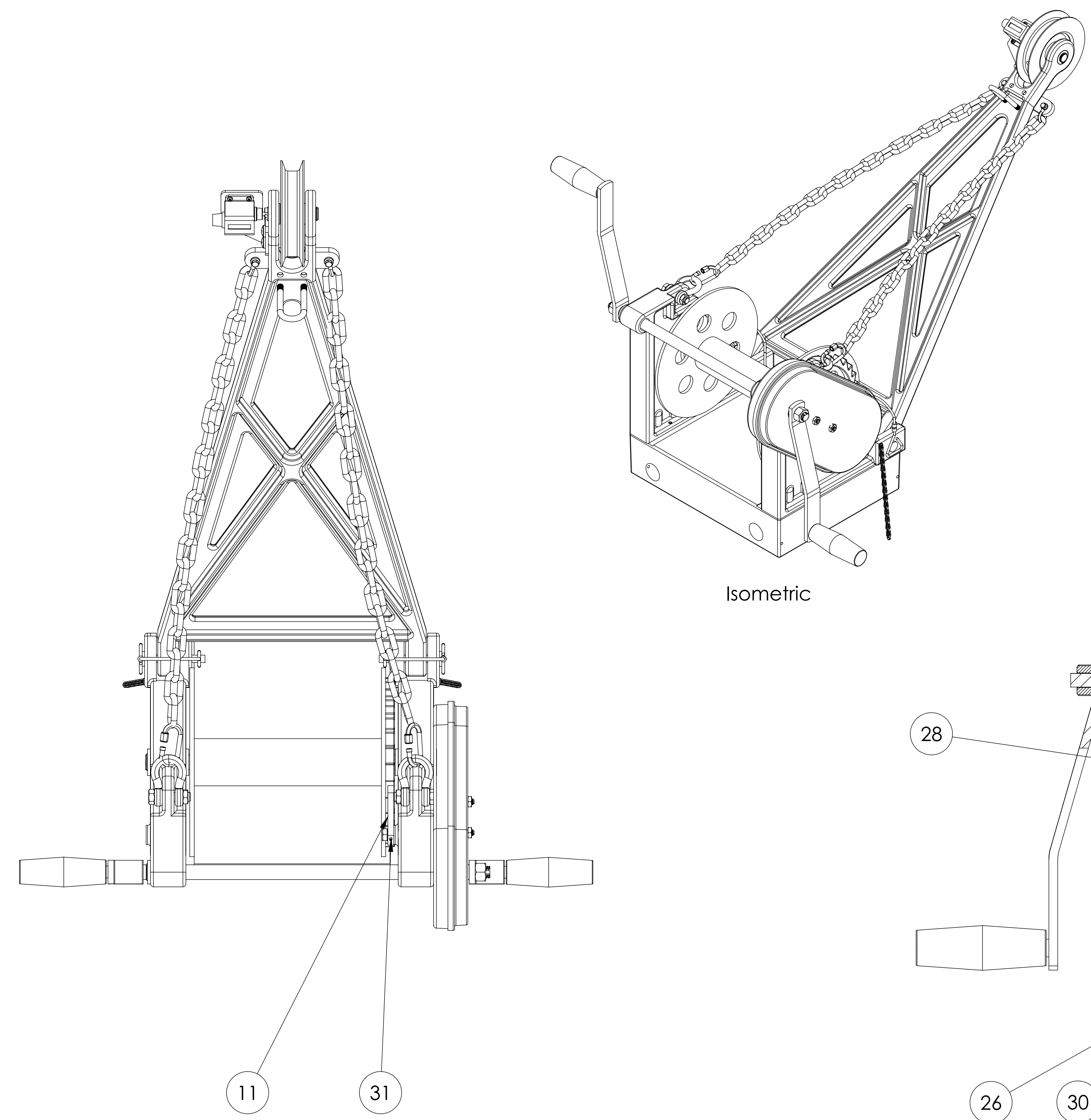


ITEM NO.	PART NUMBER	DESCRIPTION	QTY.
1	003758	Base	1
2	003753	Left Side	1
3	021080	Spool	1
4	003754	Right Side	1
5	003757	Ratchet Plate	1
6	003752	Side Plate	1
7	003756	Boom	1
8	021015	Handle Axle	1
9	032650	Spool Shaft	1
10	020645	Counter Base	1
11	020830	Pawl	1
12	Plate	Plate	1
13	U-Bolt	U-Bolt	1
14	020650	Bronze Flanged Bearing .625 ID X .1.25 LG	2
15	020655	Bronze Flanged Bearing .625 ID X .75 LG	4
16	020705	Bronze Sleeve Bearing .50" ID X .875" OD X .50" Long	2
17	020010	Counter Shaft	1
18	Preferred Narrow FW 0.25	1/4" SS Flat Washer	2
19	HFBOLT 0.25-20x1.25x0.75-N	1/4-20 X 1 1/4" SS Hex Bolt	2
20	HFBOLT 0.3125-18x1x1-N	5/16-18 X 1" SS Hex Bolt	1
21	B27.1 - NA1-62	5/8" Retaining Ring	4
22	B27.1 - NA1-50	1/2" Retaining Ring	2
23	35-0.375P1ST15T15SO2.5"H.75L0.6250S1	Sprocket, Browning #3515, 15 Tooth, 5/8" Bore	2
24	CR-PHMS 0.25-20x0.5x0.5-N	1/4-20 X 1/2" SS PHMS	2
25	CR-PHMS 0.138-32x0.375x0.375-N	6-32 X 3/8" SS PHMS	2
26	HX-SHCS 0.375-16x1.25x1.25-N	3/8-16 X 1 1/4 SS SHCS	6
27	021066	Threaded Stud	2
28	HNUT 0.2500-20-D-C	1/4-20 SS Hex Nut	8
29	HNUT 0.5000-13-D-N	1/2-13 SS Hex Nut	2
30	SPS 0.1875x1	3/16 X 1" SS Spring Roll Pin	4
31	SPS 0.0938x0.5	3/32 X 1/2" SS Spring Roll Pin	1
32	CR-FHMS 0.19-32x0.625x0.625-N	10-32 X 5/8" SS FHMS	6
33	66-C24	Winch Handle	2
34	AI KEYS Woodruff R B17.2-606	Woodruff Key #606	3
35	020715	Chain Cover Top	1
36	020716	Chain Cover Top	1
37	HJNUT 0.2500-20-D-N	1/4-20 SS Hex Jam Nut	2
38	021025	3/16" Shackle, Glavanized	2
39	004415	5/16" Shackle	2
40	WMG-120	5/16" Locking Pin, McMaster-Carr #98416A130	2
41	020945	Roller Chain, #35 (3/8" Pitch)	1
42	004070	5/16" Chain CAD/BBB	2
43	Default	3/16" Quick Link	2
44	020745	Mechanical Resettable Ratchet Counter Veeder-Root (Danaher) # 728735-001	1
45	CR-PHMS 0.112-40x0.25x0.25-N	4-40 X 1/4" SS PHMS	4
46	SPS 0.0625x0.5	1/16 X 1/2" SS Spring Roll Pin	1
47	021230	English Wheel	1
48	SSFLATSKT 0.19-32x0.375-HX-N	10-32 X 3/8" SS SSS	1
49	004080	#1/0 Safety Chain, Brass	2

REV.	DESCRIPTION	DATE	APPROVED
------	-------------	------	----------

DESCRIPTION	
Winch and Depth Meter Assembly	
FILE: I:\Wildco\85-E10 Winch & Depth Meter\	
85-E10	
MAT'L: .	
SCALE: 1:3	DATE: 4/22/2008
SHEET: 1	CAD: S. Marsh
MAT'L NO.:	REQ'D: 1
85-E10 Winch and Depth Meter	



- Notes:
- For Metric version (85-E20), substitute 003745 Metric Wheel in place of 021230 English Wheel.
 - Attach detail 40 (5/16" Locking Pin) to frame at Detail 25 (6-32 screw) using Detail 49, Brass safety chain (plumbers chain).

All Parts to Be Clean and Free of Burrs & Sharp Corners Except As Noted .02 R or C Max.	All Information Contained in This Document is Confidential and Proprietary.
TOLERANCES	 KJLV Moms & Lee Inc. 95 Botsford Place, Buffalo, NY 14216
Fractional ± .05	
1 PLACE ± .03	
2 PLACE ± .015	
3 PLACE ± .005	
4 PLACE ± .0005	DESCRIPTION Winch and Depth Meter Assembly
ANGLE ± 0.30°	REV.- SHEET SIZE-E